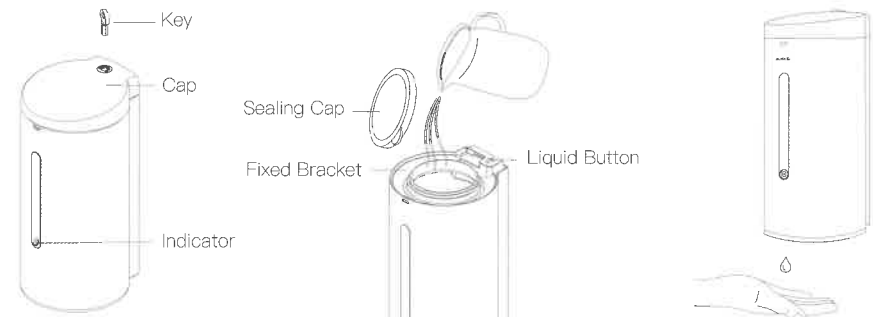




1. The unit includes electronic devices and solenoid valve, please do not knock.
2. Caution for connecting line when disassembling the unit.
3. Please wipe it using soft cloth with neutral detergent when cleaning the product. Next wipe detergent and dirt by the wrung-out soft cloth, then using dried soft cloth to dry.
4. Please do not washing with watering or using some detergent with particle such as scouring powder and laundry detergent, also do not using diluent, detergent with high acid or Nylon brush to clean this product, lest to damage surface or erode internal electronic components, especially be careful not to damage transparent cover which placed induction window to avoid decrease the effectiveness of reaction. Tips: Ensure the distance between sensing window and counter top is above 35cm When installing on stainless steel counter top. Installation

Using Your AK1205



1. Insert the key into the lock to open the top cover after install the battery. Long press the setting button for about 3 seconds, then the LED light on with flashing 3 times
2. Open the sealing cap and pour the liquid soap, remove the extra over flowing, and recover it.
3. Put your hand under the sensor until the liquid sprayed out



Children should be used under adult supervision to prevent accidentally eating!
Please don't throw away discarded batteries, recycling used batteries by correct way!
The unit has been designed with microcomputers & electronic circuit etc. Do not splash water.



1. After installing the batteries, long press the setting button for about 3 seconds, then the LED light on with a flashing, after 3 times flashing will the unit stay in standby, long press the setting button to switch between turning the machine standby status and dormant status.
2. The unit is suggested to install batteries even if you don't use it, so that the unit can automatically run once per 72 hours in the standby status to avoid the catheter pressure adhesion.
3. Some of unit had installed batteries and in dormant status before delivery. Keep press setting buttons for more than 3 seconds, the indicator will flash 3 times turning into standby status. Whereas if the unit turn to dormant status after keeping press the setting button.

Liquid Adjustment

At the standby status, you can adjust liquid by pressing the liquid adjustment button.
The default liquid volume output is around 1.0ml before delivery, it will increase around 0.5ml output for per press. Totally 5 levels adjustment with the range of liquid soap supply 0.5-2.5ml. Different liquid may have a slight deviation.



Troubleshooting

Problem	Reason	Potential Solution
LED indicator off	Control system trouble	Replace the controller
	Power supply problem	Check the Circuits and batteries
	Batteries poor contact or out of power	Re-install or replace the batteries
	Circuits problem or poor contact	Check the Circuits
	Block sight of indicator	Clean the indicator window
LED light flash	Not enough power	Replace the batteries
Indicator on without liquid supply	Sensor continue working	Remove the sensing object
	Out of sensing distance	Contact the the dealer
	Unit fault	Contact the the dealer
Insufficient liquid supply	Short liquid supply time	Adjust the liquid output
	Too viscous liquid	Reduce liquid viscosity
	Liquid coagulation or obstruction	Try some times or contact the dealer

Tips: Please prevent debris from entering the container to avoid blocking.

Specification

Model	AK1205	Power	DC9V(6 AA Batteries)
Volume	700ml	Sensing Distance	5-9cm
Dimension	100 x 110 x 220mm	Liquid Supply	0.5ml ~2.5ml (5 step adjustment)
Net Weight	1.1kg	Ambient temperature	0-45℃

AIKE

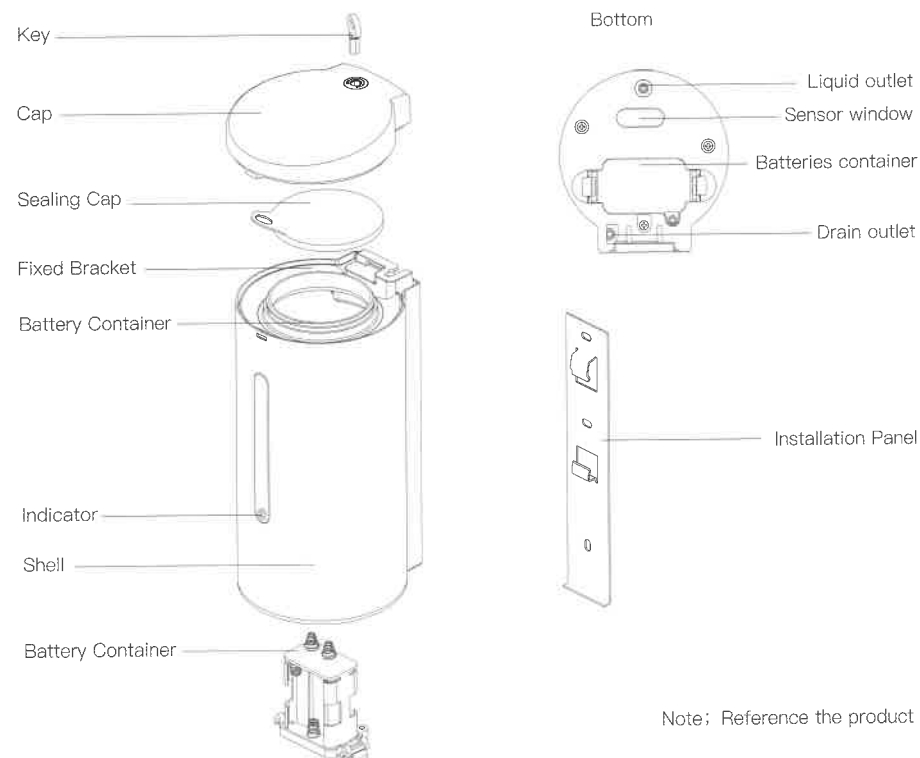
Automatic Soap Dispenser | AK1205

USER MANUAL

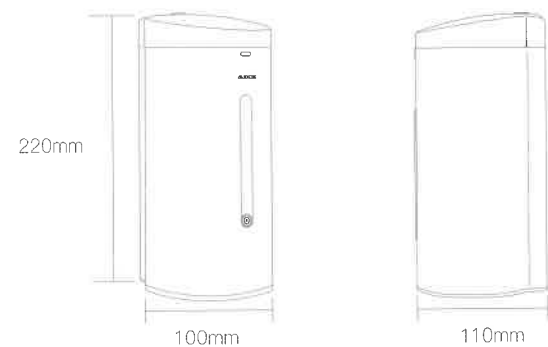


Hangzhou AIKE Appliances Co.,Ltd.
Add: No.7,22nd St.,Xiasha Jianggan Dist.
E-mail: sales@zjaike.com
Tel: 0086-571-86089873
Website: www.zjaike.com

Introduction



Dimension



Important Safety Instruction

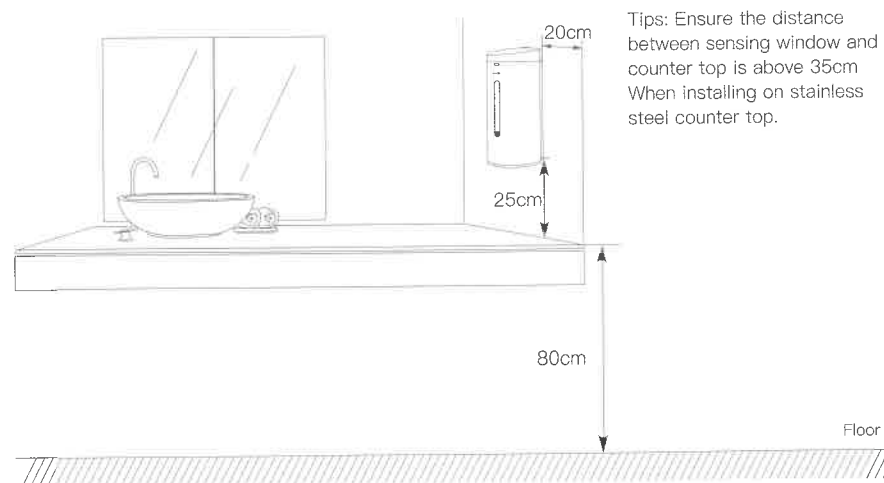
- To make sure the unit dose work and extend its lifespan under the good condition, please notice that:
1. Please read user manual and instructions very carefully before installing the unit.
 2. Please using the same AA battery (6 pcs) of well – known brand. Old and new batteries can not be mixed. If counterfeit or low–grade batteries are used, it may do harm to the unit lifetime.
 3. Please check the wall is flat or not and clean the surface of wall before installing the unit.
 4. Distance (more than 25cm) will be needed from the bottom of unit to tables or other objects.
 5. The instructions of installing will be given to the user or manager by qualified person.
 6. Reflective objects must not be put in the sensing distance under the unit.
 7. Please do not cover with reflective objects (such as mirror or stainless steel) on the table against the bottom of the unit, to avoid wrongly placed.
 8. Indoor use only, to avoid wrongly placed.

Packing list

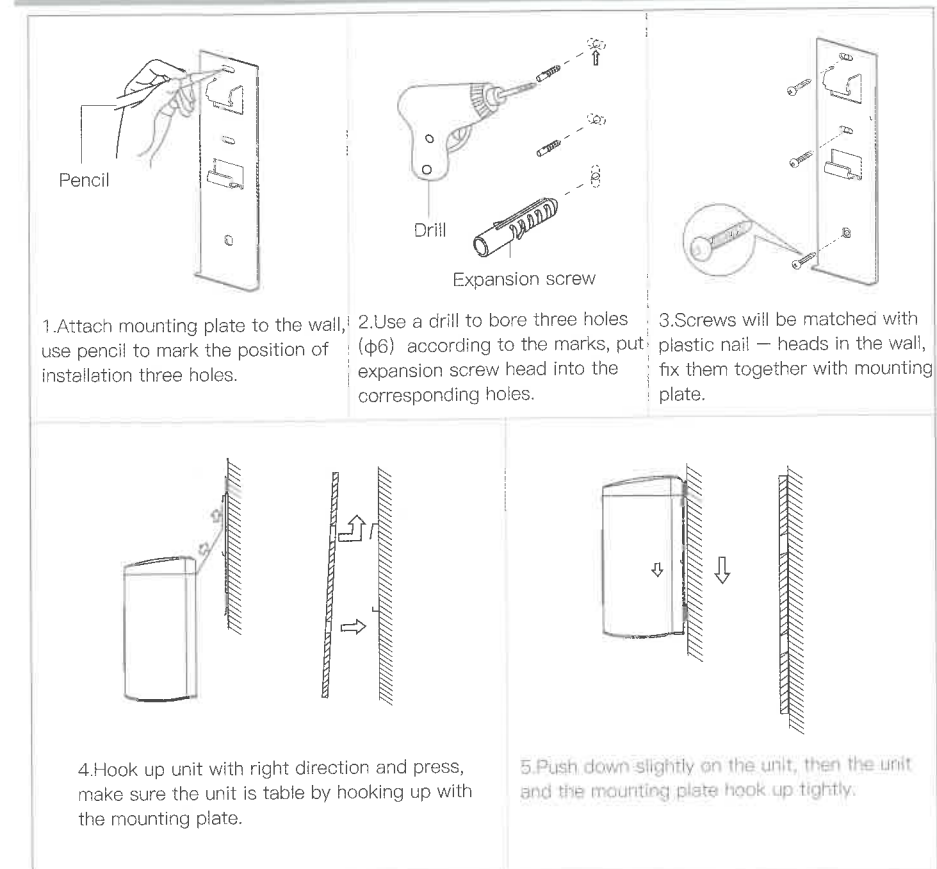
Unit X1	Installation Panel X1	ST4X25 Screw X3	Installation Manual X1
Expansion Screw X3	Certification X1	Key X1	

1. Please make sure if any items are missing or problems before installing, contact your dealer or manufacturer.
2. Specification of part items changed might be not informed in time, please contact your dealer or manufacturer when problems can not be solved during installing.
3. Main objects are sealed by special bag. Do not hit or drag too heavy when you move or open the bags.

Installation



Installation



Battery Installing and Replacement

